



Building Maintenance Units

**Tractel® BMUs are designed and manufactured to fit any building.
Industry leading solutions provide safe and secure access where and when you need it.**

The World Leader in Permanent Access Equipment

Tractel® is a world leading safety specialist providing reliable, innovative and cost-effective working-at-height solutions and services. These solutions are used in many end-user applications, in particular in industrial, construction, energy, telecoms and infrastructure projects.

When you choose Tractel® you'll get:

- Enhanced **Safety and Protection** for your employees, whatever your application, industry or geographical location
- A comprehensive range of **Products and Solutions**, combining performance, ergonomics, safety and comfort
- Global and local **Sales, Service** and cost effective **After-sales** support
- Excellence and integrity in **Engineering, Manufacturing Code Compliance**
- Assured **Quality** and recognized **Standards**
- **Experience and Expertise**

Tractel® is a leading supplier of Permanent Access Systems across the globe. Our experienced team of engineers and project managers are capable of working with you from concept to installation. With more than 10,000 references worldwide, it's clear that our solutions are built for even the most complex of jobs.

Tried, Tested, Tractel®



Control Systems

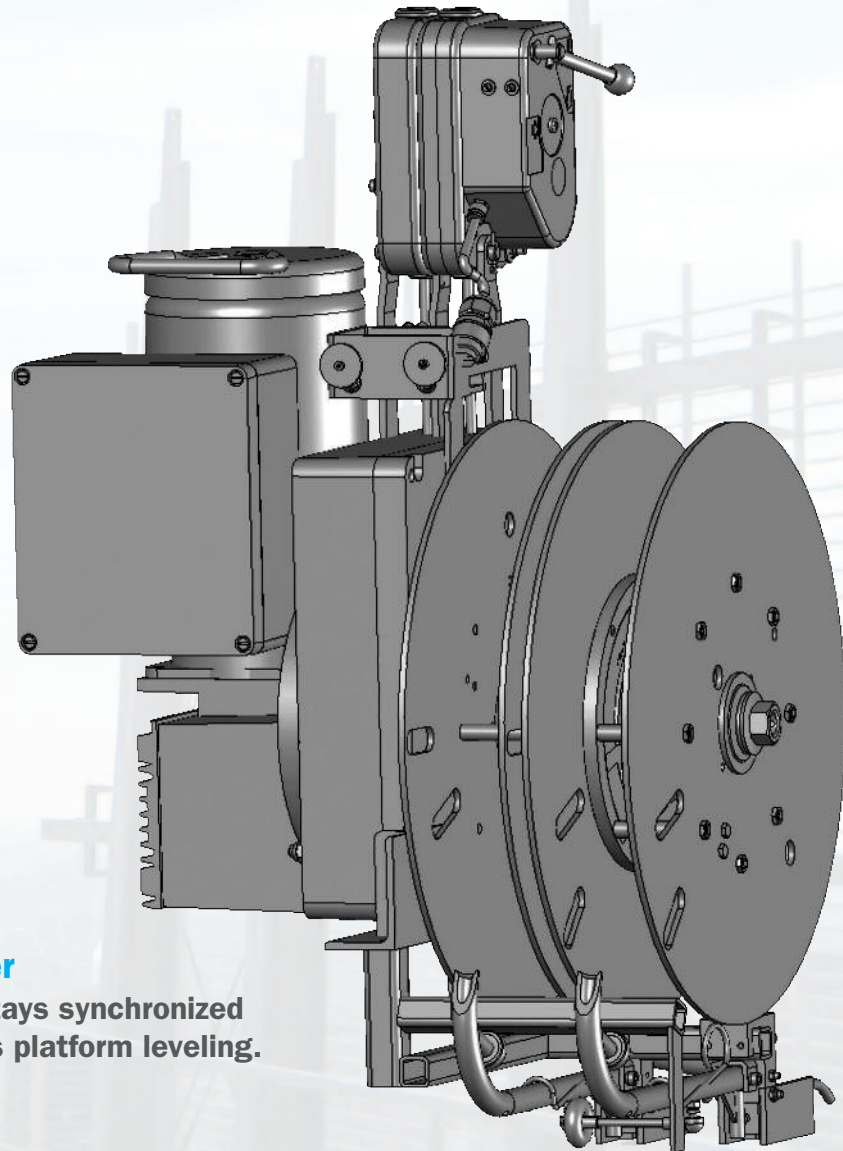
The system is controlled via two fail safe remote control units located on the platform and roof level BMU. There are three forms of central communication available wireless, conductor core or cable.

Wireless Control

Reduced total cost of ownership with less moving parts and less expensive suspension wire rope. Redundant cord backup included.

Conductor Core

Continuous signal with no outside interference. Redundant cord backup included.



tirak® Rotation Counter

Ensures the tirak® hoist stays synchronized while providing continuous platform leveling.

HMI LCD Display

HMI LCD display clearly communicates status of the BMU and platform to operator on platform and to the team on the rooftop.

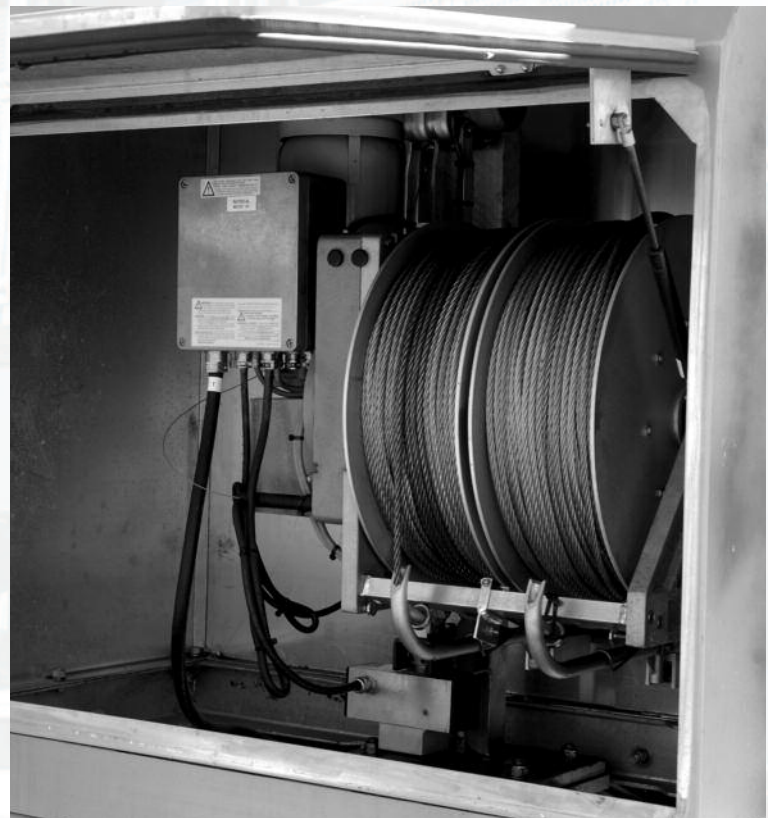


Ergonomic Human Machine Interface (HMI)

The control system is equipped with dedicated failsafe toggle switches. User friendly design with dedicated switches for each function that eliminates unintentional machine movement.

tirak® : The Global Standard in Man-Riding Hoists

Dual driven tirak® has self-powered reelers that automatically collect the wire rope at the same speed as the hoist without the need to add motors, clutches and circuits. Because the dual reelers do not collect the wire rope under load, we eliminate crushing and strand damage and prolong the lifespan of the wire rope.

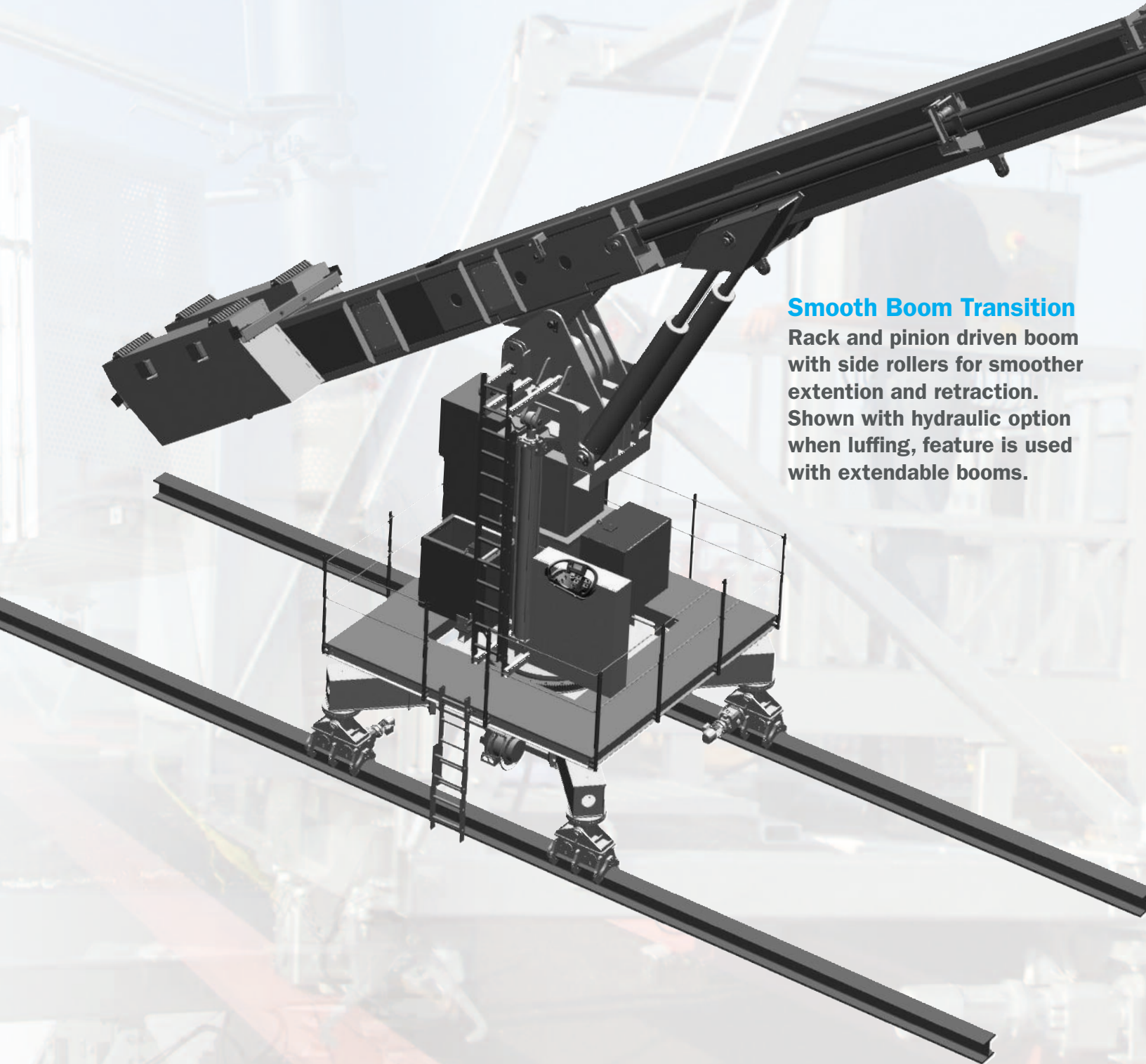


BMU Standard features

Built in safety devices constantly monitor all operations for complete operator safety. Integrated safety features include obstruction sensing device, overload detection, centrifugal brake, electromagnetic motor brake and in the event of loss of power, a manual controlled descent device. Material hoist can be incorporated into the design for building maintenance or final construction.

Smooth Boom Transition

Rack and pinion driven boom with side rollers for smoother extension and retraction. Shown with hydraulic option when luffing, feature is used with extendable booms.





Soft Start / Soft Stop

Smoother ride providing precise platform positioning.

Dynamic Automatic Platform Leveling

Ensures that the platform stays level during ascent or descent providing comfort, reassurance and safety. Continuous leveling eliminates the need for manual adjustment by service techs.

Anti-Tilt tracmod® Platform

Dynamic automatic platform leveling, no need for manual adjustment. Sensor prevents platform from becoming unlevel ensuring comfort, reassurance and safety.

Inclined Track Option

Shown on standard I-beam track, options available for inclined track or stationary BMUs.

BMU References



BMU with Self-Powered Platform



Luffing and Telescoping Mast



Track Mounted



Telescoping Mast



Material Hoist at Boom Tip



Parked Position



tracmod® Extendable Platform



Articulating Platform



Track Mounted Retrofit



Stick Built - Retrofit



Transfer Shunt Carriage



Luffing

Tractel® : Your Trusted Safety Solution Partner

Tractel® is a world leading safety specialist providing reliable, innovative and cost-effective working-at-height solutions and services. Our end to end permanent access solutions ensure you have the equipment you need to match your unique specifications. We are able to provide you with the local support and service you need with offices in New York, Los Angeles, San Francisco, Houston, Chicago, Montreal and Toronto.



North American Headquarters

1615 Warden Avenue, Toronto, Ontario M1R 2T3 Tel: 416 298 8822 sales.swingstage@tractel.com

Northeast - Larry Lucks
Larry@tractelwingstage.com
518-864-5615

South Central - Mike Boyer
Mike@tractelwingstage.com
281-829-6655

North Central - Craig Schoch
Craig@tractelwingstage.com
206-542-0300

West - Allen Kanarek
Allen@tractelwingstage.com
415-446-7232

Southeast - Jason Bryant
Jason@tractelwingstage.com
904-463-1303

Industrial - Don Mitchell
Don.Mitchell@tractelwingstage.com
519-384-4577